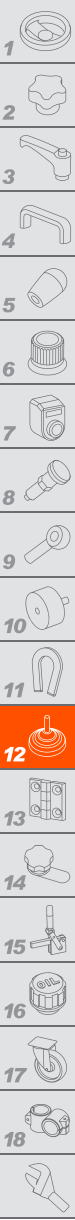


STANDARD EXECUTIONS

- **GN 511.1-S:** AISI 304 stainless steel screw. AISI 303 stainless steel threaded bushing and distance bushing.
- **GN 511.1-K:** die-cast zinc alloy lever, epoxy resin coating, RAL 9006 grey colour. AISI 303 stainless steel clamping element, retaining screw, threaded bushing and distance bushings. AISI 301 stainless steel return spring.

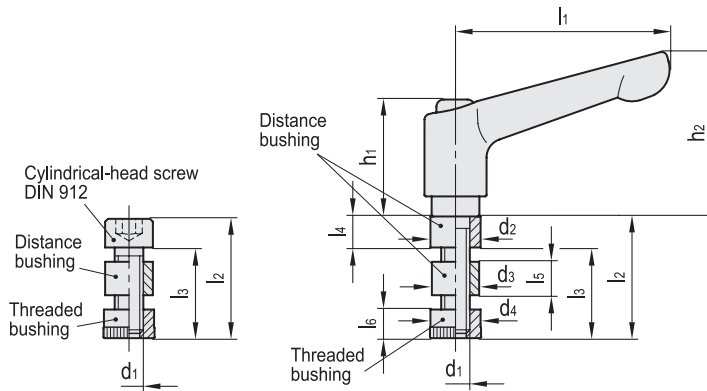
FEATURES AND APPLICATIONS

GN 511.1 clamping kit allows the fixing of the different combinations of MSM-R pivoting connecting clamps having the same dimension B. During assembly, the distance bushing is positioned between the two pivoting connecting clamps, while the knurled threaded bushing is inserted into one end of the two connecting clamps, allowing the fastening of the screw or of the threaded insert at the opposite end up to the locking desired, thanks to the pressure exerted. The table below shows the dimensions l2 of the various corresponding MSM-R pivoting connecting clamps .



GN 511.1-S

GN 511.1-K



Conversion Table 1 mm = 0.039 inch	
l2	
mm	inch
16	0.63
20	0.79
25	0.98
30	1.18

GN 511.1-S



Code	Description	d1	d2	l2	l3	l4	l5	l6	⚖️
GN.23163	GN 511.1-M4-16-S	M4	7.5	16	11.5	4.5	4	4	120
GN.23167	GN 511.1-M5-20-S	M5	9	20	14	6	5	5	150
GN.23173	GN 511.1-M6-25-S	M6	10.5	25	18.5	6.5	7	6	150
GN.23177	GN 511.1-M6-30-S	M6	10.5	30	23.5	6.5	7	6	170

GN 511.1-K



Code	Description	d1	d2	l1	l2	l3	l4	l5	l6	h1	h2	⚖️
GN.23161	GN 511.1-M4-16-K	M4	7.5	30	16	11.5	4.5	4	4	24.5	30.5	100
GN.23165	GN 511.1-M5-20-K	M5	9	30	20	14	6	5	5	24.5	30.5	120
GN.23171	GN 511.1-M6-25-K	M6	10.5	45	25	18.5	6.5	7	6	24.5	35	120
GN.23175	GN 511.1-M6-30-K	M6	10.5	45	30	23.5	6.5	7	6	24.5	35	150

Leveling elements and supports